

MADIX WALL AND ISLAND PART IDENTIFICATION

GONDOLA ENDS

One Gondola End is required to complete any length Gondola run.

Each Gondola End consists of:

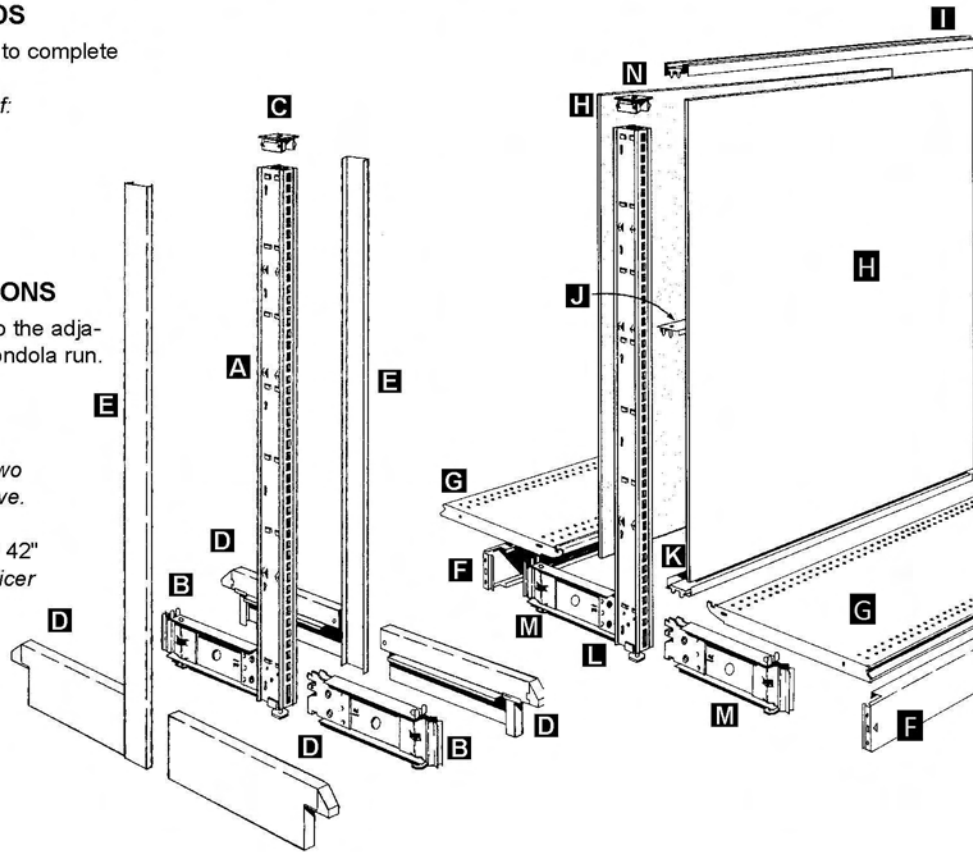
- A** One Basic Upright
- B** Two Base Shoes
- C** One Upright Cap
- D** Two pair Base End Covers
- E** Two Upright End Covers

GONDOLA SECTIONS

Each Gondola section locks to the adjacent section for any length Gondola run.

Each section consists of:

- F** Two Kickplates.
- G** Two "S" style Base Shelves.
- H** Two backs, HH, PP or HP ...two piece backs at 78" and above.
- I** One STL Upper Spanner.
- J** One SC Center Spanner from 42" up to 96"... plus one SS Splicer Spanner at 78" and above.
- K** One SL Lower Spanner.
- L** One Basic Upright.
- M** Two Base Shoes.
- N** One Upright Cap



COUNTS		
A		
B		
C		
D		
E		
F		
G		
H		
I		
J		
K		
L		
M		
N		

WALL ENDS

One Wall End is required to complete any length Wall run.

each Wall End consists of:

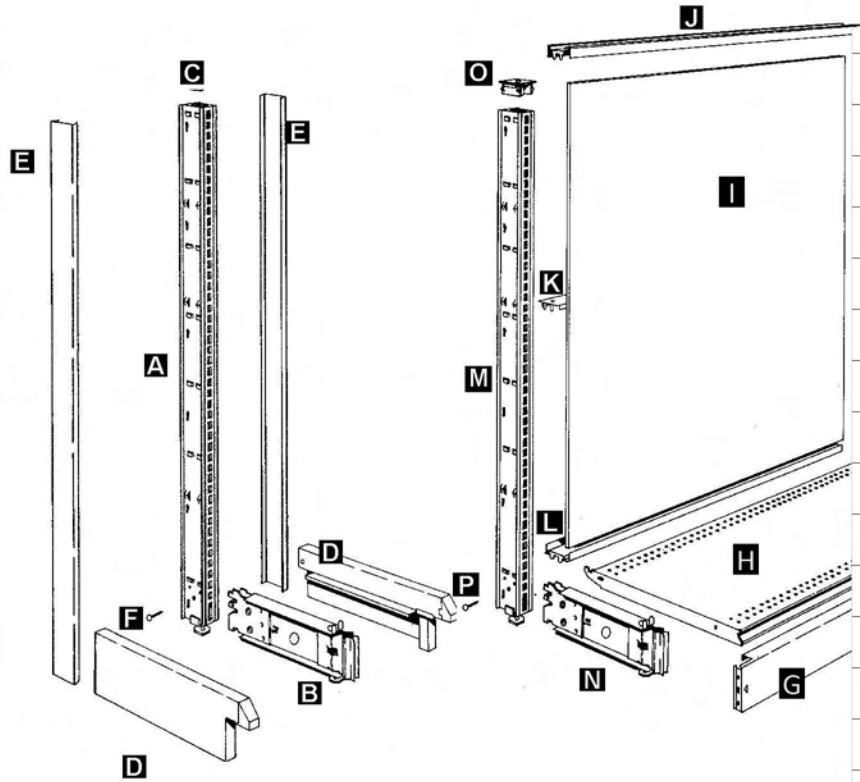
- A** One Basic Upright.
- B** One Base Shoe.
- C** One Upright Cap.
- D** One pair Base End Covers.
- E** Two Upright End Covers.
- F** One Wall Section Retainer Pin.

WALL SECTIONS

Each Wall section locks to the adjacent section for any length Wall run.

Each section consists of:

- G** One Kickplate.
- H** One "S" style Base Shelf.
- I** One back, H or P, or two backs, HH, PP or HP ...two piece backs at 78" and above.
- J** One STL Upper Spanner.
- K** One SC Center Spanner from 42" up to 96"... plus one SS Splicer Spanner at 78" and above.
- L** One SL Lower Spanner.
- M** One Basic Upright.
- N** One Base Shoe.
- O** One Upright Cap
- P** One Wall Section Retainer Pin.

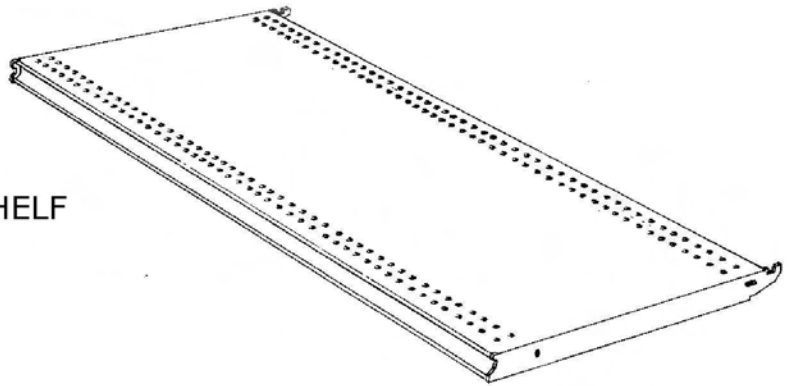


COUNTS		
A		
B		
C		
D		
E		
F		
G		
H		
I		
J		
K		
L		
M		
N		
O		
P		

MADIX SHELVES

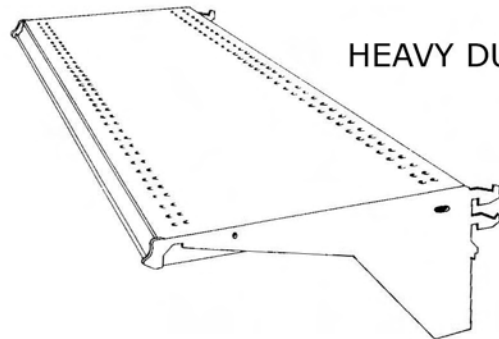
COUNTS		

BASE DECK SHELF

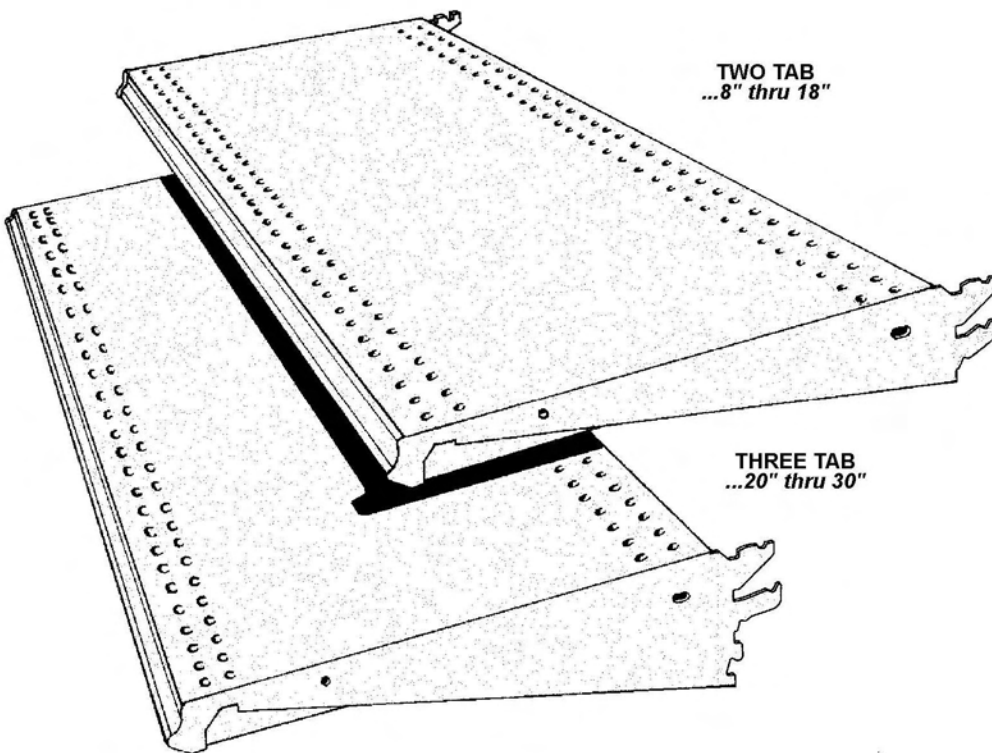


COUNTS		

REGULAR UPPER SHELF



HEAVY DUTY SHELF

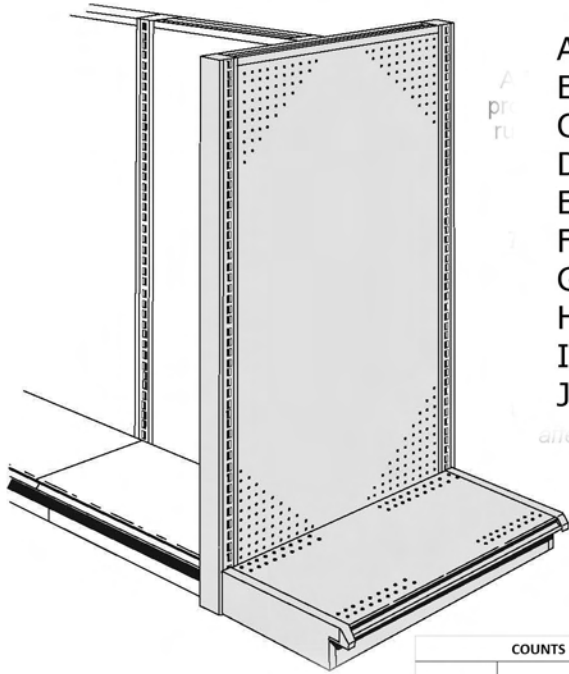


TWO TAB
...8" thru 18"

THREE TAB
...20" thru 30"

COUNTS		

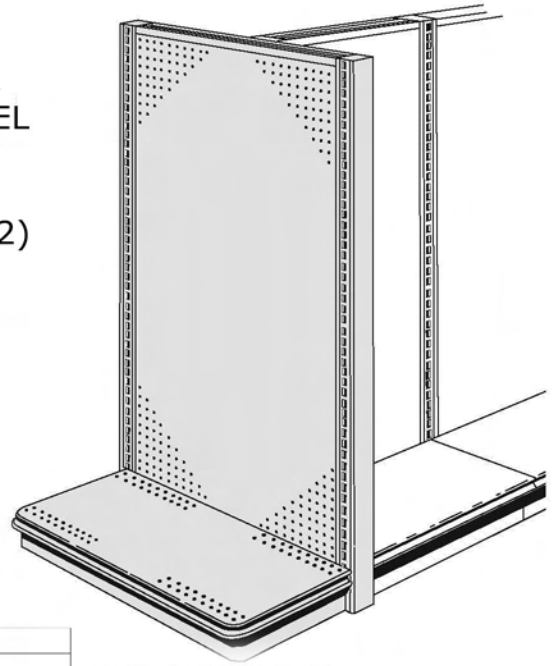
MADIX END CAPS



A
pr
ru

- A. UPRIGHT (2)
- B. PEGBOARD PANEL
- C. HARDBOARD PANEL
- D. CENTER SUPPORT
- E. TOP CAP
- F. END UPRT CAPS (2)
- G. SHOE (2)
- H. SHOE CAPS (2)
- I. BASE SHELF
- J. TOE KICK

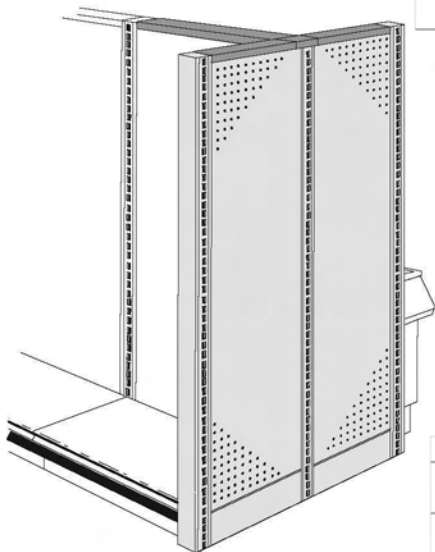
affect the loading calculations..



COUNTS		
A		
B		
C		
D		
E		
F		
G		
H		
I		
J		

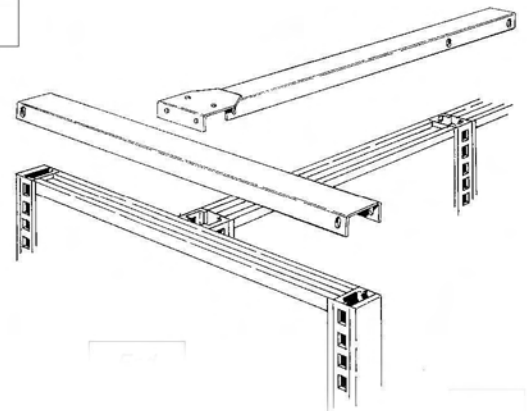
COUNTS		
A		
B		
C		
D		
E		
F		
G		
H		
I		
J		

Kickplates.



S
e
r
v
i
c
e

COUNTS		
A		
B		
C		
D		



COUNTS		
A		
B		
C		
D		

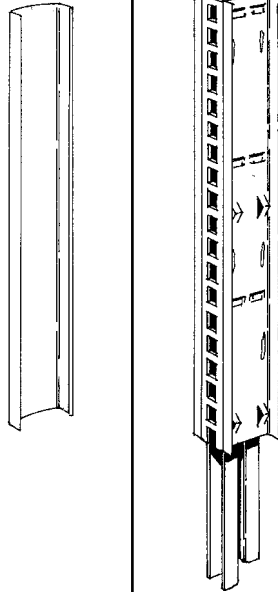
COMPONENTS

EXTENSION UPRIGHT END COVERS^A

Matching lengths of standard UEC, trim off Extension Uprights at end of unit runs. When Extension Backs are not used, two Extension Upright End Covers should be ordered for each Extension Upright for a finished look.

	Height 36" to 96" in 6" increments	Wt.
EUC-□□ ...plastic	\$5.65...all heights	1.0...all heights
EVC-□□ ...metal	\$5.65...all heights	1.0...all heights

- Standard colors for **EVC** and **EUC** are Sahara and Chocolate.
- Optional colors are available on **EVC** only ...add \$1.50 each end cover.



EXTENSION UPRIGHTS^A

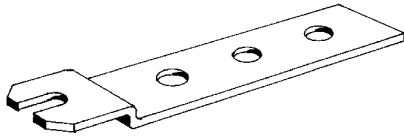
Unit with integral connector inserts easily into top of shelving section upright, set screws expand the connector, solidly aligning assembly.

NOTE! Maximum load capacity is **200 lbs.** when loaded one side only.

Actual Height			Wt.
6"	EU-6	\$14.25	2.6
12"	EU-12	\$15.15	3.9
18"	EU-18	\$18.20	5.4
24"	EU-24	\$18.40	6.6
30"	EU-30	\$20.35	7.9
36"	EU-36	\$23.85	9.3
42"	EU-42	\$24.90	11.0
48"	EU-48	\$26.10	12.4
54"	EU-54	\$27.25	13.3

- Optional color ...add \$1.50 each.
- Order 1 center spanner for 6" thru 36".
- Order 2 center spanners for 48" or larger.

SEE TABLE OF CONTENTS FOR EXTENSION BACKS



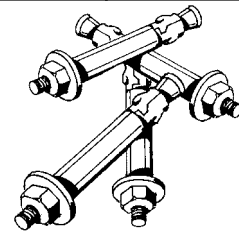
SEISMIC FLOOR ANCHORS^Aregular duty

For use when local building codes require anchoring Base Shoes and/or Standard Uprights to floor. Level as required prior to anchoring to floor. Requires two expansion bolts for every order.

NOTE! See Seismic Floor information in General Information Section.

		Pack	Wt.
SFA-RD-25	\$40.75	25	6.5

•Galvanized only!

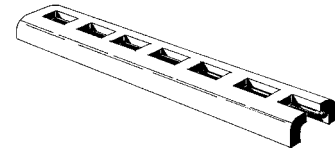


EXPANSION BOLTS^B ...for seismic floor anchors

Fifty 3/8"-16 x 3 1/2" ICBO approved Expansion Bolts for use when anchoring Base Shoes and/or Standard Uprights to the floor with either Regular or Heavy-Duty Seismic Floor Anchors.

Order two bolts per Seismic Floor Anchor, Regular or Heavy-Duty .

		Pack	Wt.
SFA-EB50	\$97.60	50	5.0



SEISMIC FLOOR ANCHORS^Aheavy-duty

For use when local building codes require anchoring Base Shoes and/or Standard Uprights to floor. Level as required prior to anchoring to floor.

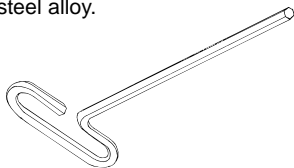
NOTE! See Seismic Floor information in General Information Section.

		Pack	Wt.
SFA-HD-25	\$118.65	25	15.1

•Various finishes.

HEX KEY WITH "T" HANDLE^D

The 6" Looped T-Handle Hex Key is ideal for assisting in the installation and removal of Extension Uprights. It is constructed of chrome nickel steel alloy.



		Wt.
MSF-HK	\$4.50	0.1

SEISMIC TIE BAR^B

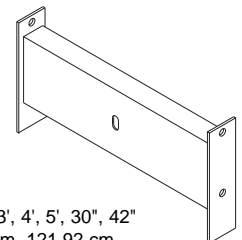
Use the Seismic Tie Bar to stabilize Madix Gondola/Wall Uprights when required by local or state building codes. Bar may also be used if additional support is necessary for larger loads. Hardware pack is included.

PART #	LIST	WT. (lbs)
SCS-2	\$16.55	3.0
SCS-3	\$16.55	4.9
SCS-4	\$16.55	5.7
SCS-5	\$16.55	10.4
SCS-30	\$16.55	3.7
SCS-42	\$16.55	6.6

•Optional Colors... \$.75

SCS-(NW)

SCS.....Seismic Tie Bar
NW.....Nominal Width 2', 3', 4', 5', 30", 42"
.....(60.90 cm, 91.44 cm, 121.92 cm,
.....152.40 cm, 76.20 cm, 106.68 cm)



BACK PANEL DIMENSIONS

....for Gondola or Wall units from 36" high to 96" high.

• FOR ALL BACKS EXCEPT GLASS MIRROR

BP-(NW)(NH)

- B.....One Piece Back
- P.....P=Pegboard H=Hardboard
- NW.....Nominal Width 3' or 4' (91.44 cm or 121.92 cm)
- NH.....Nominal Extension Back/Extension Upright Height
 -36" to 96" in 6" Increments
 -(91.44 cm to 243.84 cm in 15.24 Increments)

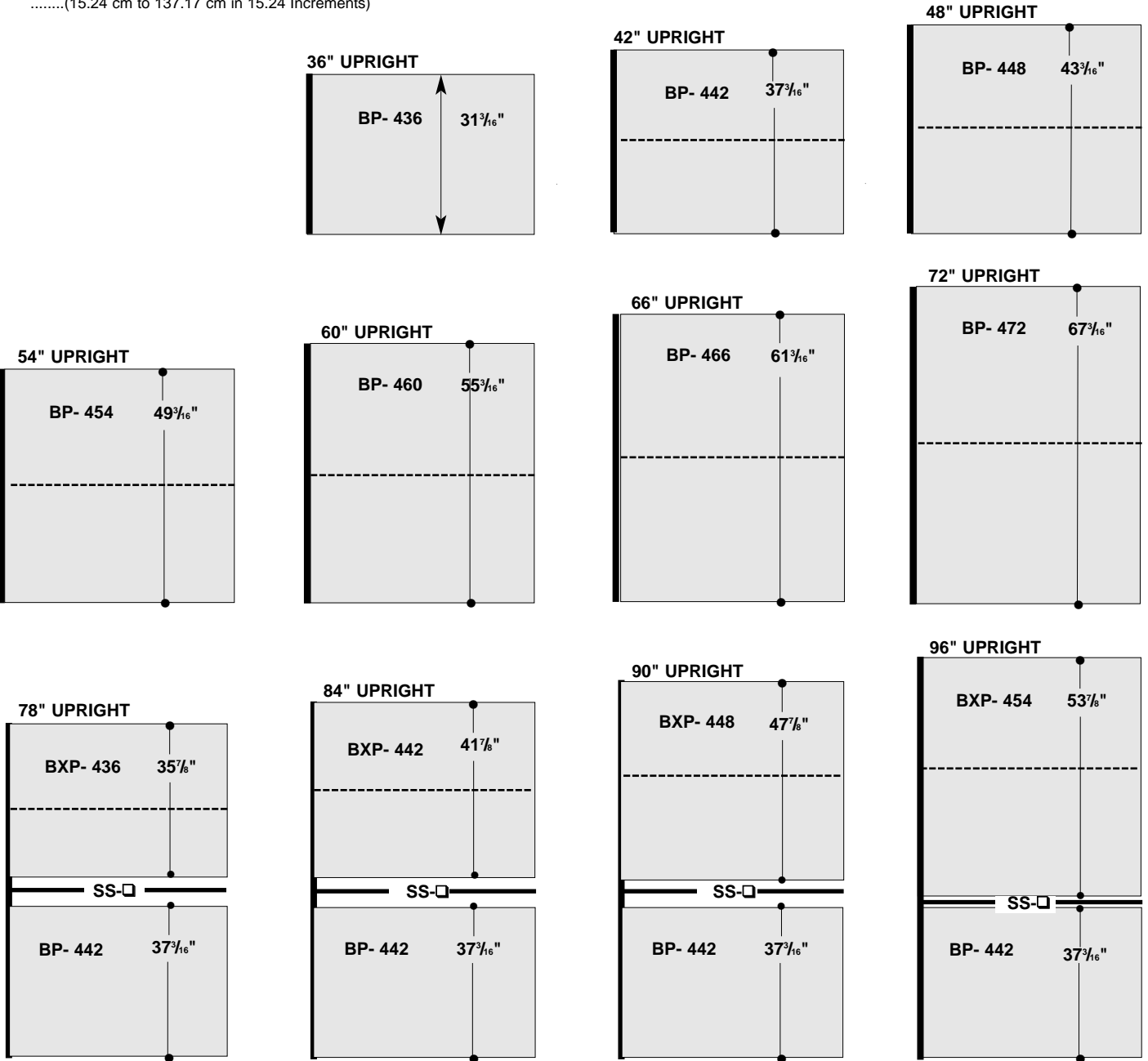
BXP-(NW)(NH)

- BX.....Extension Back
- P.....P=Pegboard H=Hardboard
- NW.....Nominal Width 3' or 4' (91.44 cm or 121.92 cm)
- NH.....Nominal Extension Back/Extension Upright Height
 -6" to 54" in 6" Increments
 -(15.24 cm to 137.17 cm in 15.24 Increments)

WIDTH
 3 = 36" ...ACTUAL = 34 1/2"
 4 = 48" ...ACTUAL = 46 1/2"

SS-□
 ...Indicates 3' or 4' splicer spanner.

...Indicates 3' or 4' center spanner located at approximate vertical mid-point of back.



BACK PANEL DIMENSIONS

....for Gondola or Wall units from 102" high to 144" high.

• FOR ALL BACKS EXCEPT GLASS MIRROR

BP-(NW)(NH)

- B.....One Piece Back
- P.....P=Pegboard H=Hardboard
- NW.....Nominal Width 3' or 4' (91.44 cm or 121.92 cm)
- NH.....Nominal Extension Back/Extension Upright Height
-102" to 144" in 6" Increments
-(259.08 cm to 365.76 cm in 15.24 Increments)

BXP-(NW)(NH)

- BX.....Extension Back
- P.....P=Pegboard H=Hardboard
- NW.....Nominal Width 3' or 4' (91.44 cm or 121.92 cm)
- NH.....Nominal Extension Back/Extension Upright Height
-6" to 54" in 6" Increments
-(15.24 cm to 137.17 cm in 15.24 Increments)

