
INSTALLATION INSTRUCTIONS

GONDOLA BASIC Q-SYSTEM

POST THIS WARNING IN A CONSPICUOUS PLACE, CLEARLY VISIBLE TO ALL STORE PERSONNEL

READ BEFORE ASSEMBLING

WARNING FOR YOUR SAFETY

- Install all components according to installation instructions.
- Installation or rearrangement of components should be done by trained personnel who have read and understand these instructions and warnings. Failure to do so may result in personal injury or damage to the system.
- Do **not** exceed stated load and height limits.
- Do **not** use damaged parts.
- Install and use components only as instructed.
- Do **not** combine Lozier components with non-Lozier components.
- Do **not** combine Lozier components from the 1-1/4" slot space Q System with Lozier components from a 1" slot space L System.
- Do **not** hang peg hooks, shelves or accessories on the side of a fixture that has no base brackets.
- Do **not** hang peg hooks, shelves or accessories that extend past the base deck.
- Do **not** expose any sharp or pointed edges to shoppers or employees.
- Do **not** climb or stand on shelves or other fixtures.
- Provide safe access to all levels of storage & display shelving via ladders, stairways or other means in accordance with applicable OSHA regulations.
- Do **not** move assembled system.
- Do **not** rearrange shelves while merchandised.
- Do **not** lean heavy items against the system.
- All feature end frames intended for use with shelves or accessories must include end decks to direct traffic away from protrusions.



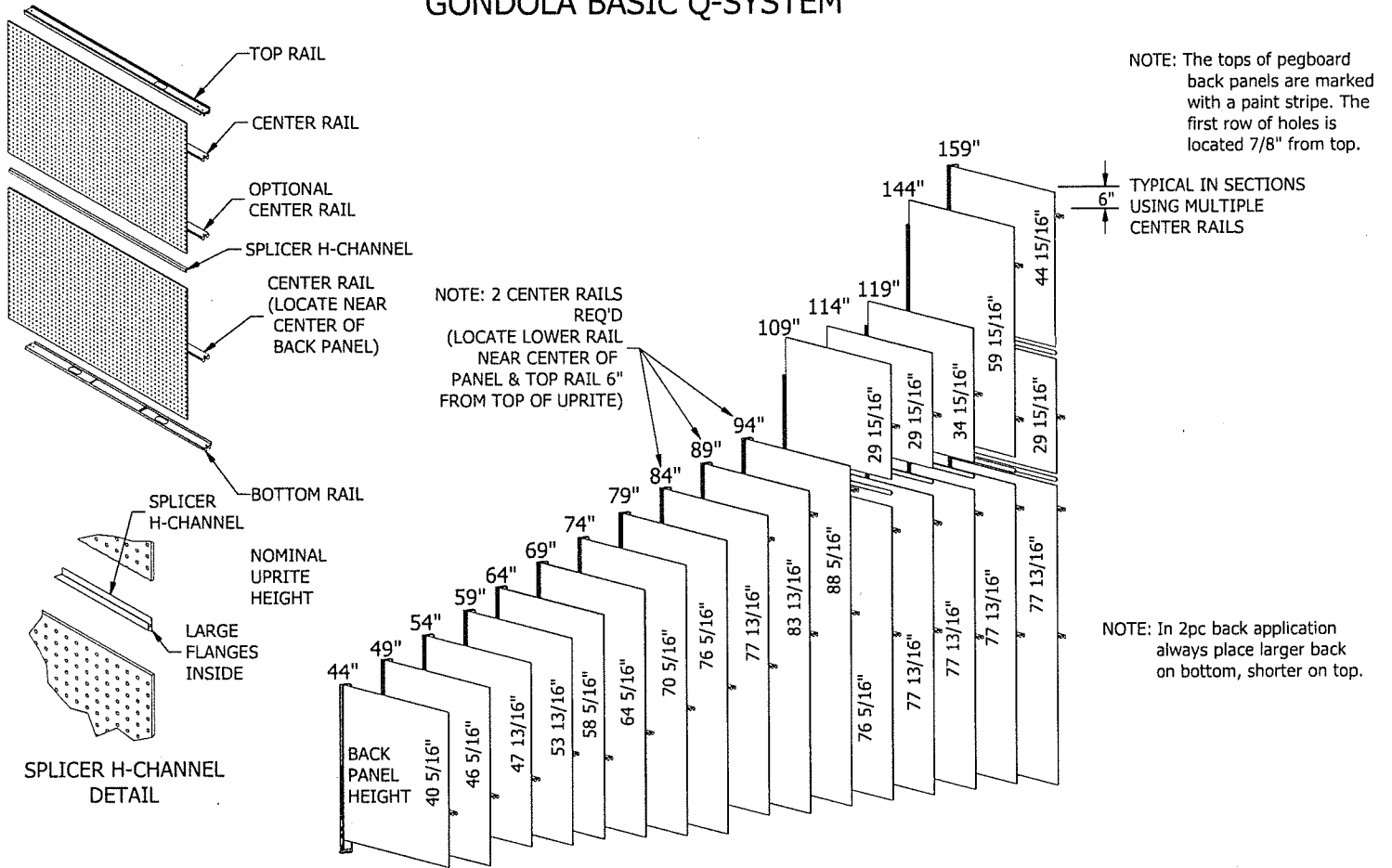
©2015 LOZIER CORPORATION

6336 PERSHING DRIVE
OMAHA, NEBRASKA 68110
(800) 228-9882

85062 REV B
LZPCOA-667
PAGE 1 OF 20

INSTALLATION INSTRUCTIONS

GONDOLA BASIC Q-SYSTEM



INSTALLATION INSTRUCTIONS

GONDOLA BASIC Q-SYSTEM

MAXIMUM UNANCHORED HEIGHT TO DEPTH LIMITS

OVERTURNING WARNING

WARNING! FAILURE TO FOLLOW THESE INSTRUCTIONS AND WARNINGS MAY RESULT IN OVERTURNING OR COLLAPSE OF THE FIXTURE, RESULTING IN PERSONAL INJURY TO YOUR EMPLOYEES OR CUSTOMERS, DAMAGE TO PROPERTY, OR DAMAGE TO THE FIXTURE ITSELF.

WALL SECTIONS		
NOM	CONTACT POINT SPACING	TALLEST UNANCHORED UPRITE
8	6 13/16	44
10	8 13/16	54
12	10 13/16	64
14	12 13/16	74
16	14 13/16	84
18	16 13/16	94
20	18 13/16	109
22	20 13/16	114
26	24 13/16	144
28	26 13/16	159

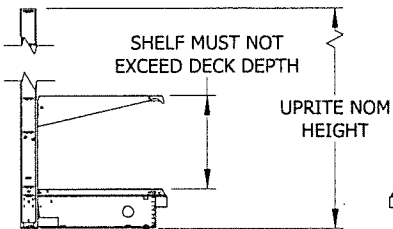
ISLAND SECTIONS		
NOM	CONTACT POINT SPACING	TALLEST UNANCHORED UPRITE
8	13 5/8	74
10	17 5/8	94
12	21 5/8	114
14	25 5/8	144
16	29 5/8	159
18	33 5/8	159
20	37 5/8	159
22	41 5/8	159
26	49 5/8	159
28	53 5/8	159

UPRITES OVER 54 ARE ONLY RATED TO 9,000 IN-LBS
 UPRITES OVER 64 ARE ONLY RATED TO 9,000 IN-LBS
 UPRITES OVER 84 ARE ONLY RATED TO 9,000 IN-LBS
 UPRITES OVER 94 ARE ONLY RATED TO 9,000 IN-LBS

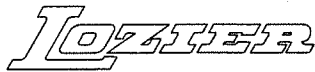
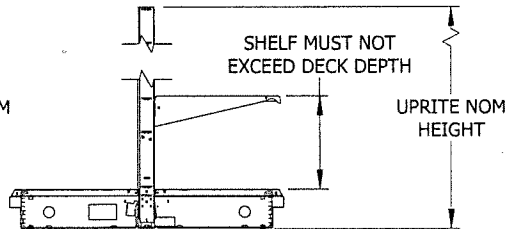
NOTES

1. IF A WALL SECTION (ANY 1 SIDED GONDOLA) IS NOT AGAINST A BUILDING WALL, IT SHOULD BE ANCHORED TO THE FLOOR.
2. THESE ARE THE HEIGHTS FOR ALL UNANCHORED WALL SECTIONS AND HALF GONDOLAS USING THE INDICATED BASE DECK. IF THESE HEIGHTS ARE EXCEEDED, ANCHORING IS REQUIRED. REFER TO PAGE 13.
3. IF GLASS SECURITY CASES ARE USED, REDUCE THE MAXIMUM UPRITE HEIGHT BY 10".
4. IF THE GONDOLA IS ON CARPET, REDUCE THE MAXIMUM UPRITE HEIGHT BY 10".
5. GOVERNMENT REGULATIONS MAY REQUIRE ANCHORING IN OTHER SITUATIONS.
6. CONSULT LOCAL REGULATIONS.

WALL SECTION



ISLAND SECTION



©2015 LOZIER CORPORATION

6336 PERSHING DRIVE
 OMAHA, NEBRASKA 68110
 (800) 228-9882

85062 REV B
 LZPCOA-667
 PAGE 3 OF 20

INSTALLATION INSTRUCTIONS

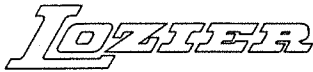
GONDOLA BASIC Q-SYSTEM

MAXIMUM SHELF LOAD LIMITS

		6"	8"	10"	12"	14"	16"	18"	20"	22"	24"	26"	28"	30"	32"	34"	46"
SHELF TYPE	SHELF ANGLES	MAXIMUM UNIFORM LOAD CAPACITY IN LBS.															
4 Position	15° Up	200	200	200	200	200	200	200	200								
	Flat	300	300	500	500	500	500	500	500								
	15° Downslant	250	250	250	250	250	250	250	250								
	30° Downslant	150	150	150	150	150	150	150	150								
3 Position	Flat									500	500	600	600	600			500
	15° Downslant									250	250	250	250	250			
	30° Downslant									150	150	150	150	150			
Base Deck		600	600	600	600	600	600	600	800	800	800	800	800	800	800		
End Deck						800	800	800	800	800						800	

WARNING!

End frame load capacity
 - Standard end frame: 800 lbs.
 - Heavy duty end frame: 18,000 in-lbs. Must have all components.
 Please refer to installation instructions Q0120
 Do not exceed the stated load capacity.
 Reduce the capacities shown by 30% when only the front half
 of the shelf is loaded.
 Observe Unbalanced Load Limitations. (Refer to Unbalanced Load Calculations
 on Reference Page 5.)



©2015 LOZIER CORPORATION

6336 PERSHING DRIVE
 OMAHA, NEBRASKA 68110
 (800) 228-9882

85062 REV B
 LZPCOA-667
 PAGE 4 OF 20

INSTALLATION INSTRUCTIONS

GONDOLA BASIC Q-SYSTEM

1. Sample Calculation:

Find the unbalanced inch-pounds acting on this Uprite.

When heavily loading wall shelving, or one side of in line shelving, it is important to determine if the loading will create an unbalance that exceeds the limit of the uprite. The maximum unbalanced load that can be applied to an uprite is 18,000 inch-pounds.

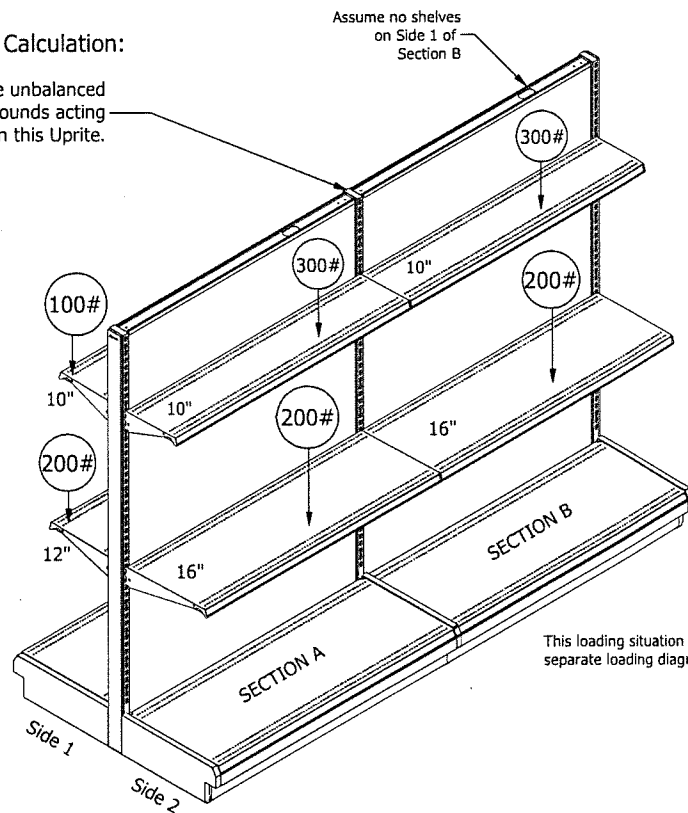
Inch-pounds are a measure of the shelf load acting at a certain distance from the uprite.

The sample calculation on the next page illustrates how to determine the unbalanced load in inch-pounds, assuming that the load is evenly distributed on the shelf. In this illustration, shelf depth is divided by two because an evenly distributed load is calculated as a total load at the center of the shelf. Shelf load is divided by two because the shelf load is supported by two uprites.

For a wall section, the method of calculation is the same. Simply consider the side without shelves to have a load of zero.

WARNING! Do not exceed 18,000 in-lbs unbalanced load per uprite.

WARNING! Pegboard Back Panel loads must not exceed 150 lbs on one side of a section.



This loading situation may be represented by two separate loading diagrams as shown on Page 6.

LOZIER

©2015 LOZIER CORPORATION

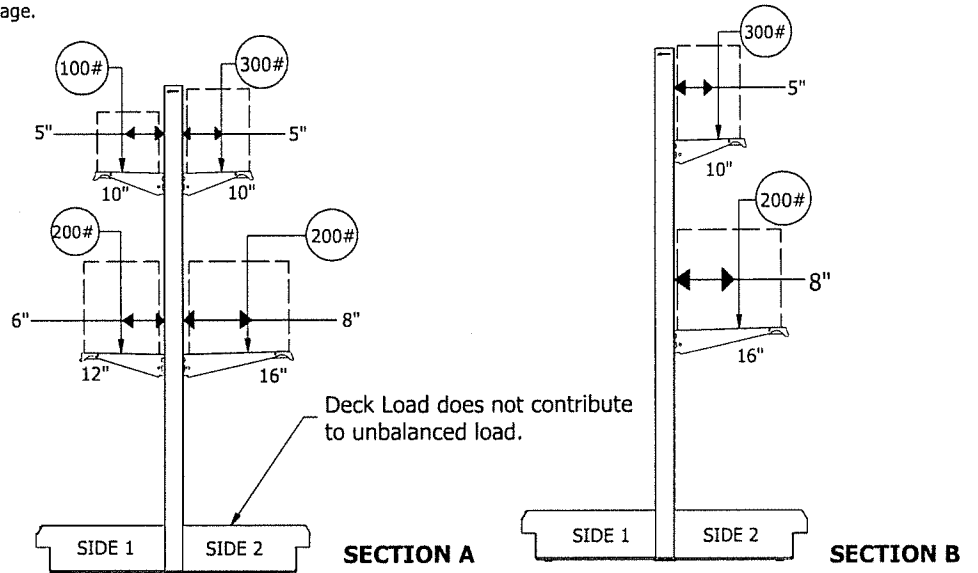
6336 PERSHING DRIVE
OMAHA, NEBRASKA 68110
(800) 228-9882

85062 REV B
LZPCOA-667
PAGE 5 OF 20

INSTALLATION INSTRUCTIONS

GONDOLA BASIC Q-SYSTEM

2. Diagram shows load on Section A from previous page.



3. Calculation

	(Shelf Depth / 2)	x	(Shelf Load / 2)	Side 1	Side 2
Section A	5 in.	X	100 lbs. / 2 =	250 in-lbs	
	6 in.	X	200 lbs. / 2 =	600 in-lbs	
	5 in.	X	300 lbs. / 2 =		750 in-lbs
	8 in.	X	200 lbs. / 2 =		800 in-lbs
Section B	5 in.	X	300 lbs. / 2 =		750 in-lbs
	8 in.	X	200 lbs. / 2 =		800 in-lbs
TOTAL (Section A and B)				850 in-lbs	3100 in-lbs

Subtract the smaller unbalanced load from the larger: 3100 in-lbs
 $- 850 \text{ in-lbs}$
 $= 2250 \text{ in-lbs}$

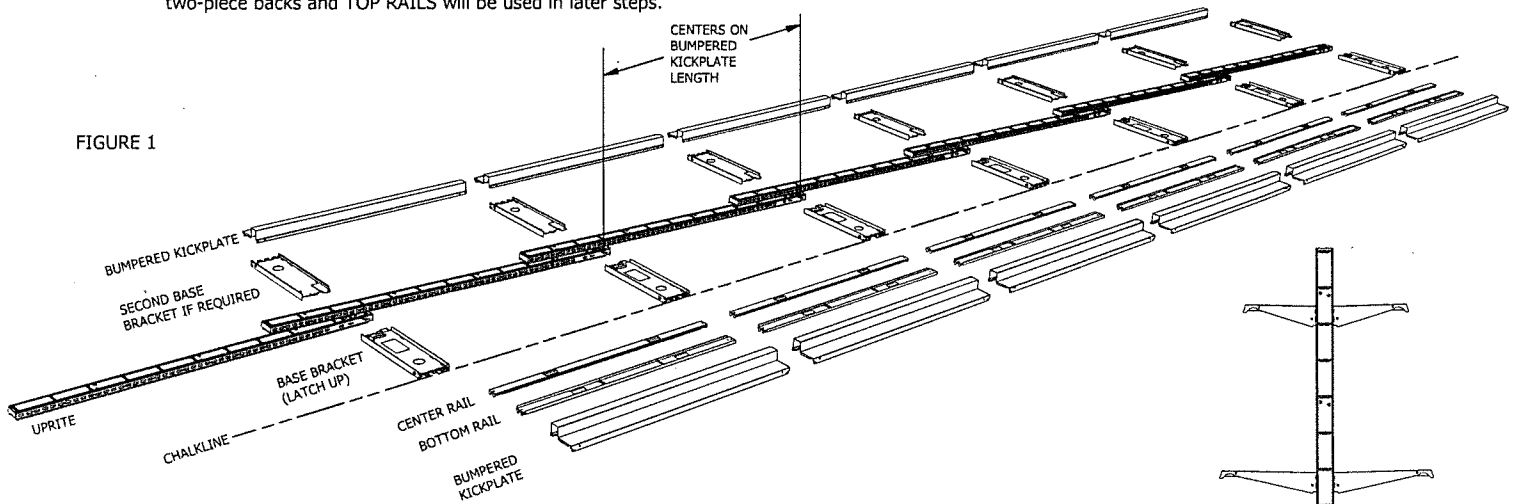
This is the total unbalanced load acting on the upright and must never exceed 18,000 in-lbs per upright

INSTALLATION INSTRUCTIONS

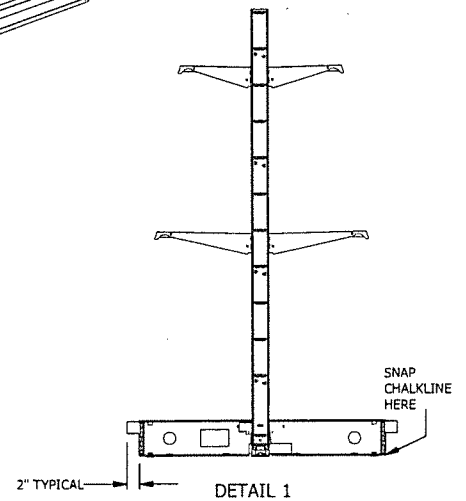
GONDOLA BASIC Q-SYSTEM

1. Snap chalkline on floor for desired location of gondola. Lay out parts along chalkline as shown. One BACK PANEL will be required for initial setup of each gondola. SPLICER H-CHANNELS for two-piece backs and TOP RAILS will be used in later steps.

FIGURE 1



WARNING! Reference Page 3 for limits on the height of unanchored gondolas.



©2015 LOZIER CORPORATION

6336 PERSHING DRIVE
 OMAHA, NEBRASKA 68110
 (800) 228-9882

85062 REV B
 LZPCOA-667
 PAGE 7 OF 20

INSTALLATION INSTRUCTIONS

GONDOLA BASIC Q-SYSTEM

- 2a.** With UPRITES lying on floor, insert BASE BRACKET hook into narrow angled slot at the bottom of the UPRITE. Slide the BASE BRACKET toward the bottom of the UPRITE until it will go no further. Rotate the BASE BRACKET until it is aligned with the uprite. Rotate the LATCH past the detent into latched position using a tool as illustrated (see page 9.)

FLIP UPRITE-BASE BRACKET ASSEMBLY TO INSTALL BASE BRACKET ON THE OTHER SIDE

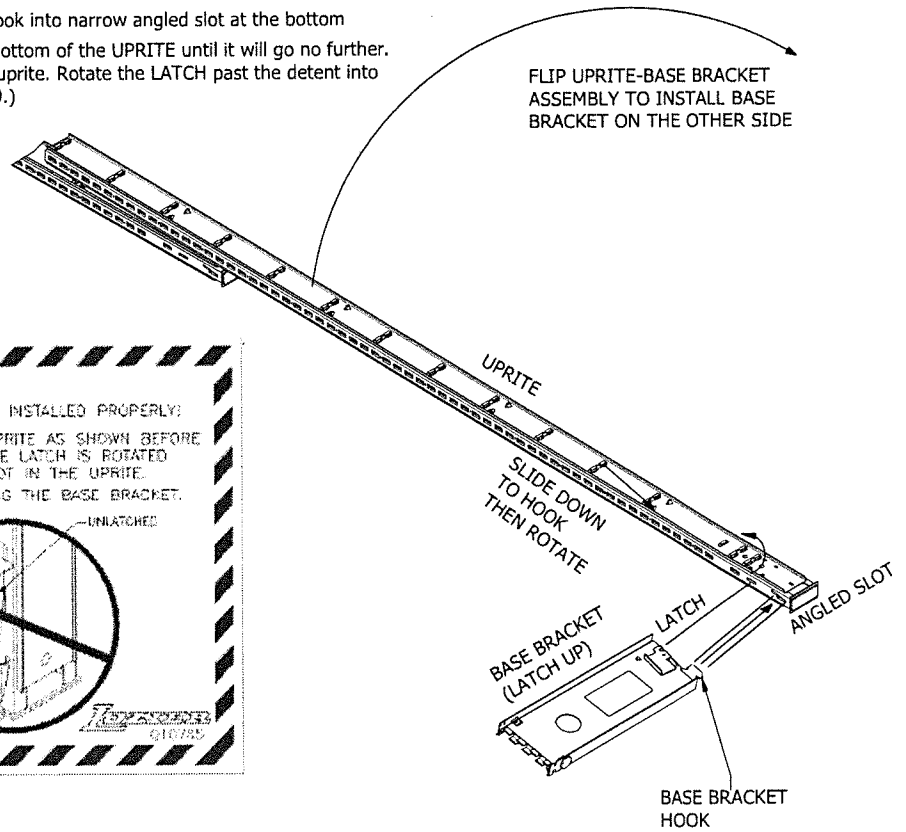
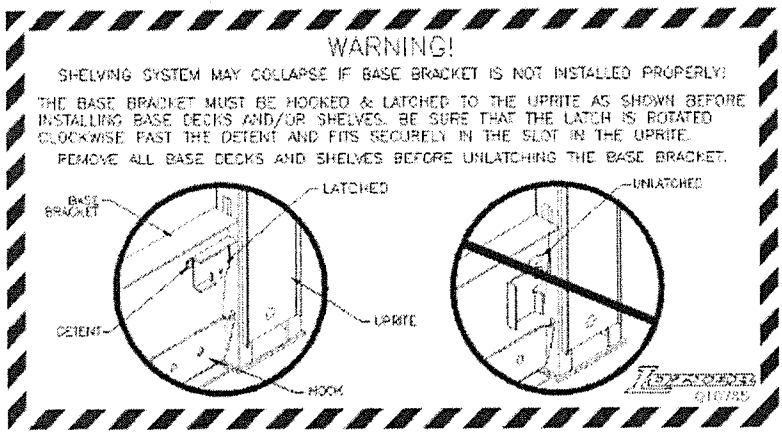
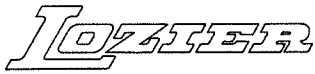


FIGURE 2a



©2015 LOZIER CORPORATION

6336 PERSHING DRIVE
OMAHA, NEBRASKA 68110
(800) 228-9882

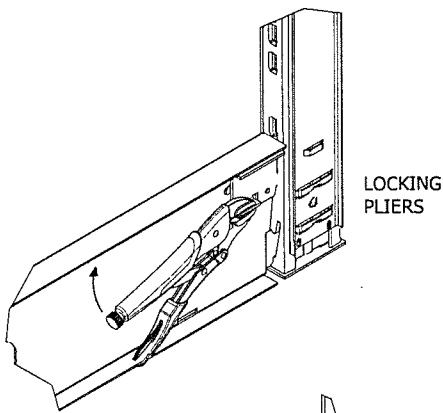
85062 REV B
LZPCOA-667
PAGE 8 OF 20

INSTALLATION INSTRUCTIONS

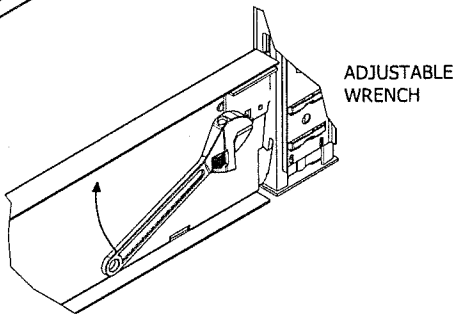
GONDOLA BASIC Q-SYSTEM

Unlatching should be done as illustrated. Pry out the LATCH only enough to pass over the detent, then continue to delatch using a similar tool as used during latching.

WARNING! Do not reuse a base bracket if the latch is bent such that it will not engage the detent.

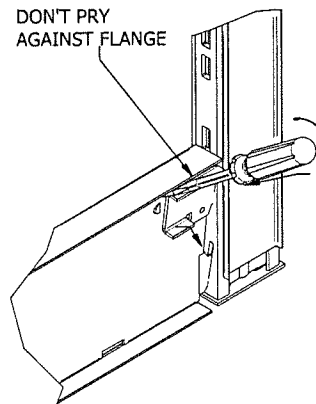


LOCKING
PLIERS



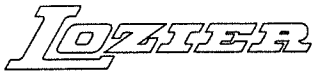
ADJUSTABLE
WRENCH

LATCHING DETAIL



DON'T PRY
AGAINST FLANGE

UNLATCHING DETAIL



©2015 LOZIER CORPORATION

6336 PERSHING DRIVE
OMAHA, NEBRASKA 68110
(800) 228-9882

85062 REV B
LZPCOA-667
PAGE 9 OF 20

INSTALLATION INSTRUCTIONS

GONDOLA BASIC Q-SYSTEM

- 2b. Flip UPRITE and install second BASE BRACKET. (Wall gondolas and free standing half-gondolas do not require this step.)

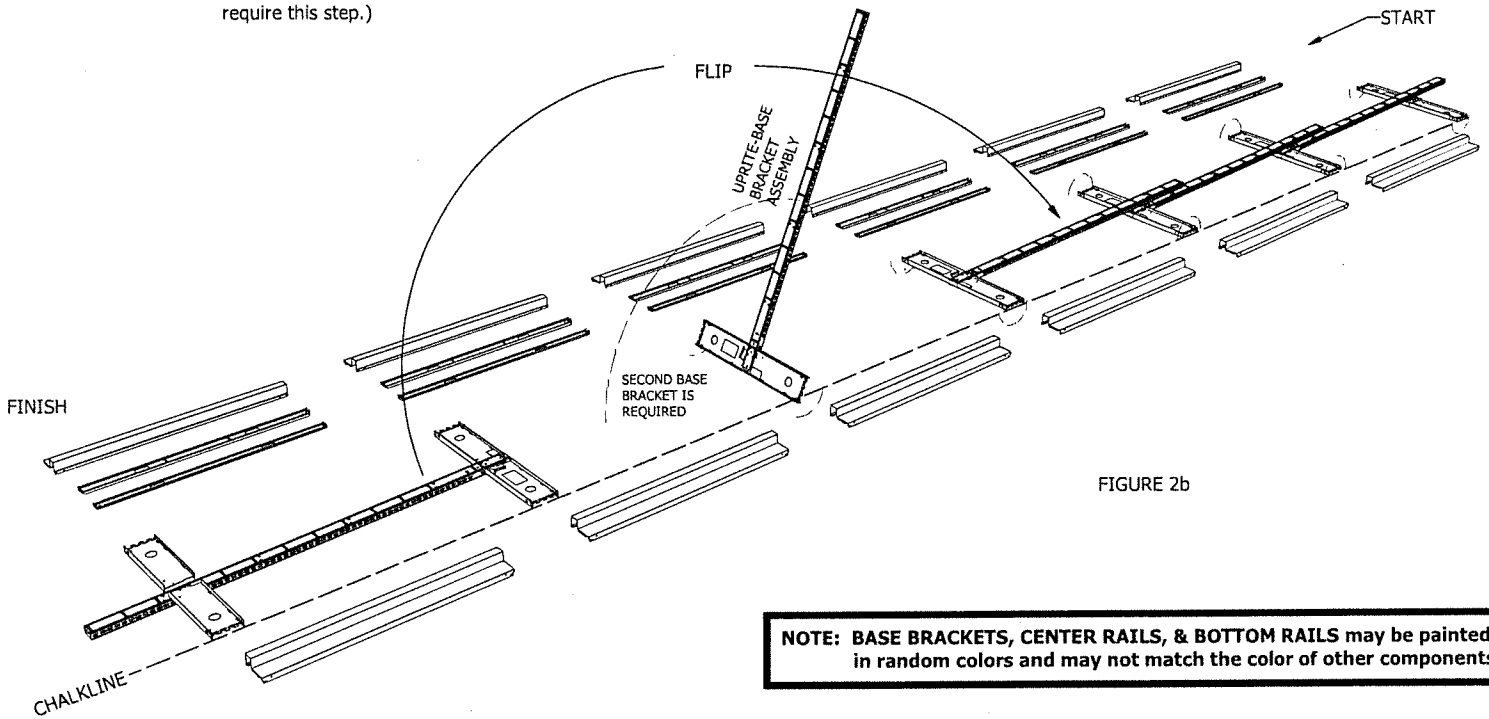


FIGURE 2b

NOTE: BASE BRACKETS, CENTER RAILS, & BOTTOM RAILS may be painted in random colors and may not match the color of other components.

Lozier

©2015 LOZIER CORPORATION

6336 PERSHING DRIVE
OMAHA, NEBRASKA 68110
(800) 228-9882

85062 REV B
LZPCOA-667
PAGE 10 OF 20

INSTALLATION INSTRUCTIONS

GONDOLA BASIC Q-SYSTEM

3. Assemble framework of first section by standing first two UPRITE/
BASE BRACKET assemblies vertically. Connect them by installing
BUMPERED KICK PLATES, BOTTOM RAIL AND CENTER RAIL.

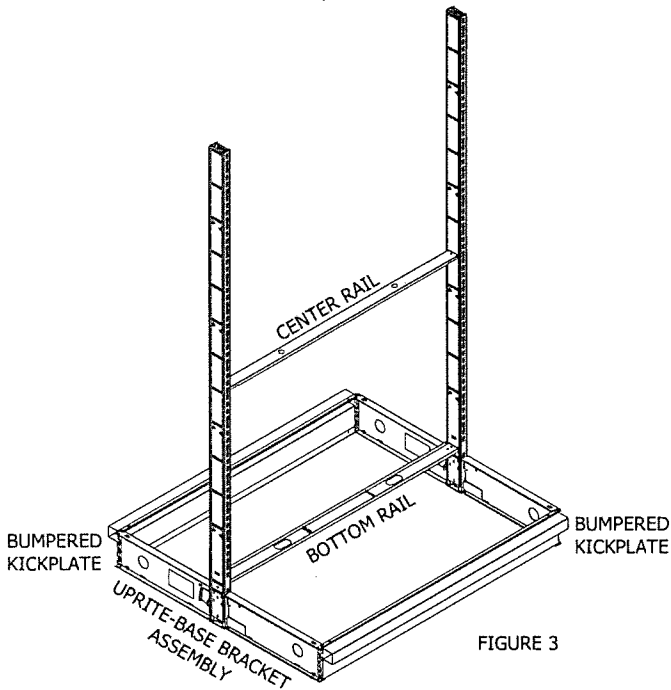
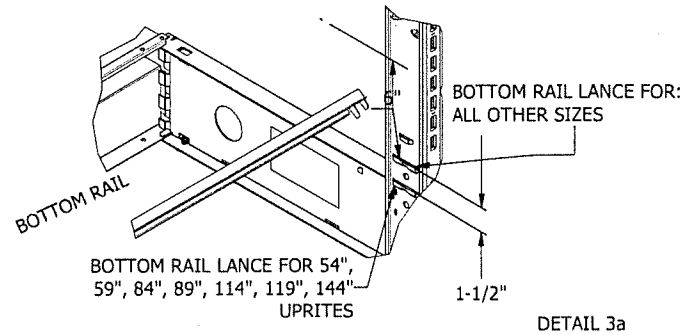
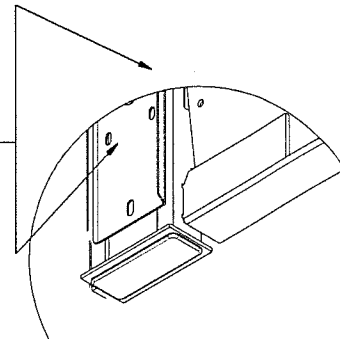


FIGURE 3



DETAIL 3a

IF ONLY ONE BACK PANEL IS
REQUIRED THEN BEND OUT
TAB ON OPPOSITE SIDE.



- 3a. Install BOTTOM RAIL in correct lance as shown. When BACK
PANELS are to be used on only one side of the gondola, bend
the BOTTOM RAIL tab that is on the side opposite the panel.

Lozier

©2015 LOZIER CORPORATION

6336 PERSHING DRIVE
OMAHA, NEBRASKA 68110
(800) 228-9882

85062 REV B
LZPCOA-667
PAGE 11 OF 20

INSTALLATION INSTRUCTIONS

GONDOLA BASIC Q-SYSTEM

- 3b. Install CENTER RAIL(S) as shown in "Back Panel/Rail Information", Reference Page 2.

WARNING! Do not let framework stand alone until a back panel is in place or until the uprights are anchored to a wall.

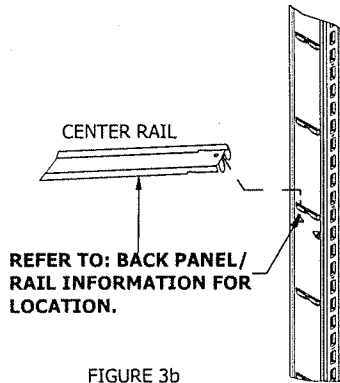


FIGURE 3b

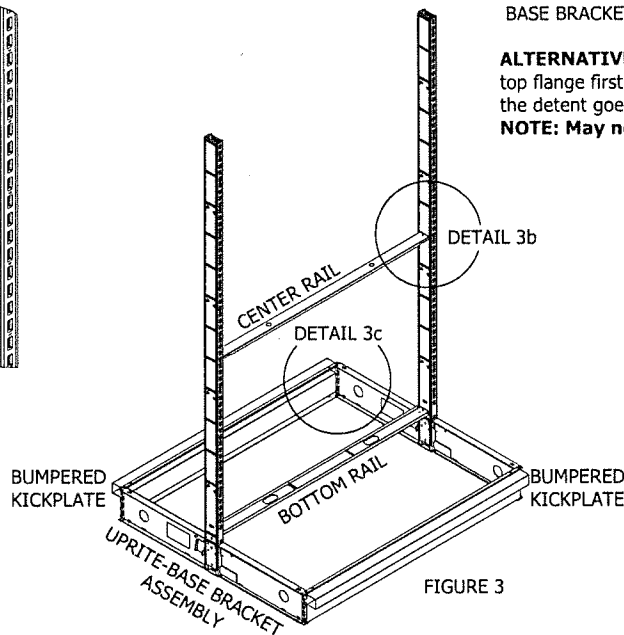


FIGURE 3

- 3c. Install the BOTTOM KICKPLATE by pushing the bottom flange under the BASE BRACKET so that the end detent in the KICKPLATE engages the bottom slot in the BASE BRACKET. Make sure that the detent fully engages the slots. It may ease installation to lift up on the BASE BRACKET while installing the bottom flange. Align the KICKPLATE so that the end flanges go into the vertical front tabs of the BASE BRACKET. Pull up slightly on the top flange of the KICKPLATE, and hook the top flange over the slots on the top of the BASE BRACKET.

ALTERNATIVE INSTALLATION: Reverse the above procedure by hooking the top flange first, and pushing the bottom flange under the BASE BRACKET so the detent goes into the BASE BRACKET bottom slot.

NOTE: May need to pull up on BASE BRACKET to ease installation.

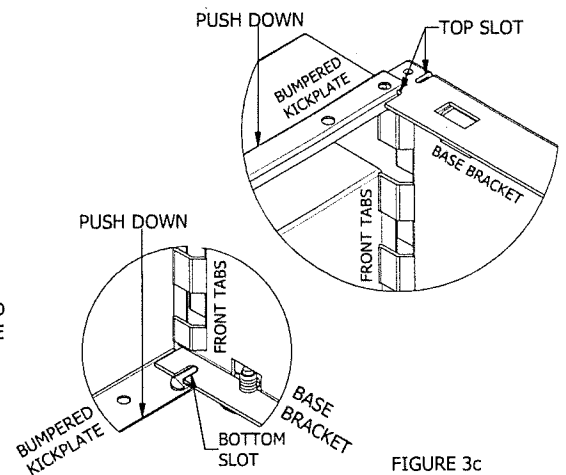


FIGURE 3c

LOZIER

©2015 LOZIER CORPORATION

6336 PERSHING DRIVE
OMAHA, NEBRASKA 68110
(800) 228-9882

85062 REV B
LZPCOA-667
PAGE 12 OF 20

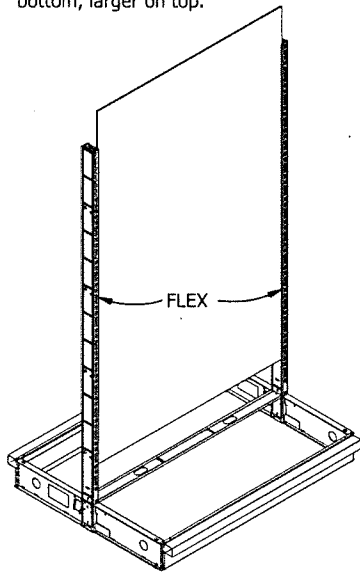
INSTALLATION INSTRUCTIONS

GONDOLA BASIC Q-SYSTEM

4. If a gondola, or free standing wall gondola is being assembled, install one BACK PANEL now for stability. For two-piece backs, install shorter BACK PANEL only at this time. Lower PANELS into UPRITE side rail from the top. If ceiling clearance is not adequate to do this, insert one side edge and flex the PANEL until the other edge fits in place.

Note: In two-piece back application - always place shorter BACK on bottom, larger on top.

WARNING! Carefully lower the panels into the bottom rail. Do not drop back panels into place - this can damage the bottom rail.



LOW CEILING DETAIL

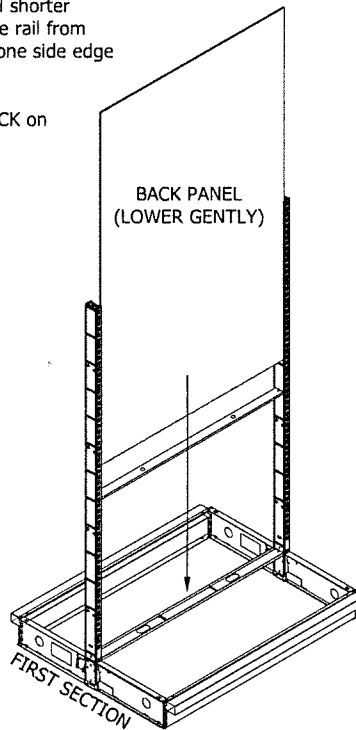
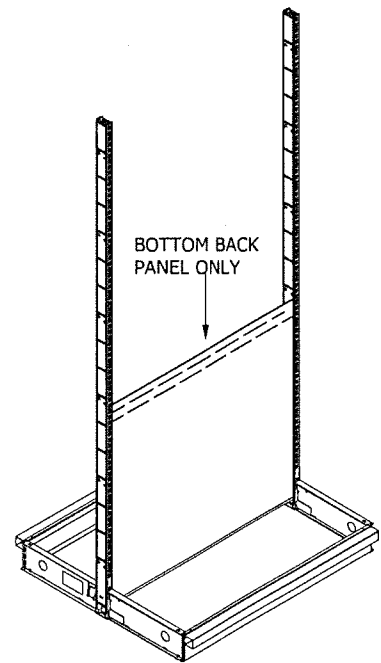
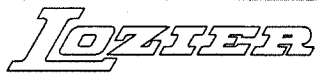


FIGURE 4



TWO-PIECE BACK DETAIL



©2015 LOZIER CORPORATION

6336 PERSHING DRIVE
OMAHA, NEBRASKA 68110
(800) 228-9882

85062 REV B
LZPCOA-667
PAGE 13 OF 20

INSTALLATION INSTRUCTIONS

GONDOLA BASIC Q-SYSTEM

5. Assemble remaining framework along chalkline. Do not install remaining BACK PANELS at this time.

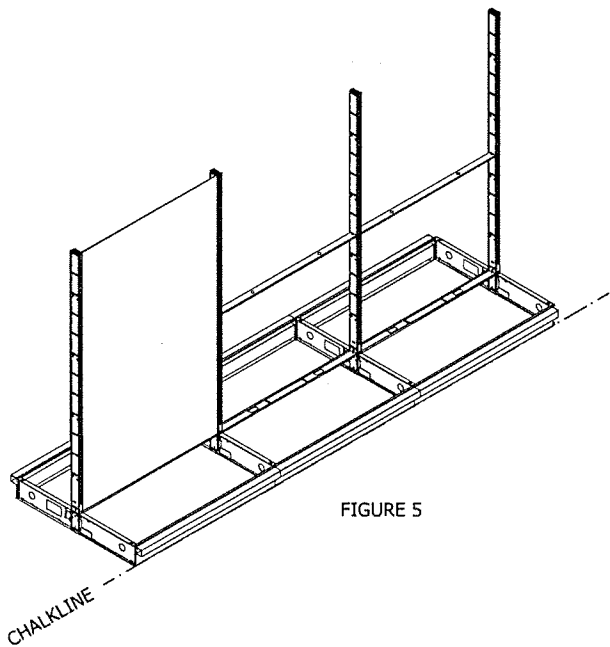


FIGURE 5

6. The gondola system is designed for installation on flat, level floors. Adjustable feet are not provided. Flat metal shims, at least as large as the plastic feet that are part of the system, may be installed between the feet and the floor to compensate for minor unlevel situations.

* For severe conditions please contact Lozier for more specific instructions

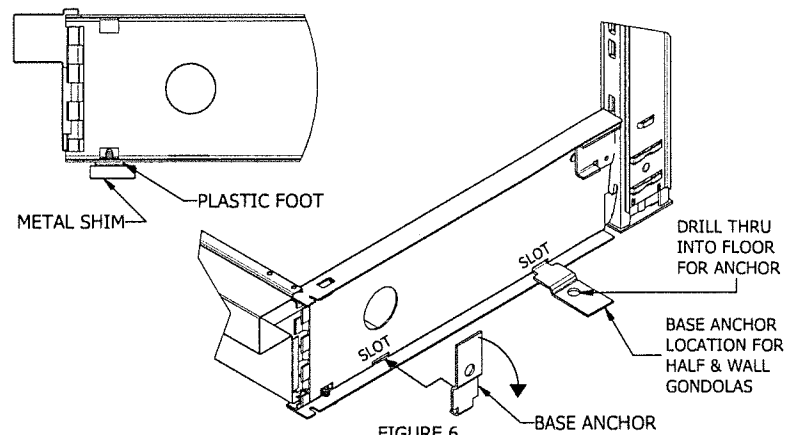


FIGURE 6
(See Paragraph 6)

7. If FLOOR ANCHORS are required to comply with height-to-depth limits (Reference Page 3) install them now. Hook the ANCHORS into the BASE BRACKET slots. Make sure that the gondola is square before drilling into the floor through the ANCHOR hole. The ANCHORS are designed to be used with a wedge-style anchor suitable for concrete. Anchor material, finish, diameter and embedment shall be determined by the customer. NOTE: The MINIMUM anchor diameter shall be 3/8" and the MINIMUM embedment shall be 1-1/2".

©2015 LOZIER CORPORATION

6336 PERSHING DRIVE
OMAHA, NEBRASKA 68110
(800) 228-9882

85062 REV B
LZPCOA-667
PAGE 14 OF 20

INSTALLATION INSTRUCTIONS

GONDOLA BASIC Q-SYSTEM

8. Install remaining BACK PANELS. Refer to "Back Panel/Rail Information" on Reference Page B for additional details, including installation of the SPLICER H-CHANNEL when using 2-piece backs.

WARNING! Do not drop back panels into place - this can damage the bottom rail.

WARNING! Pegboard back panel loads must not exceed 150 lbs on one side of a section.

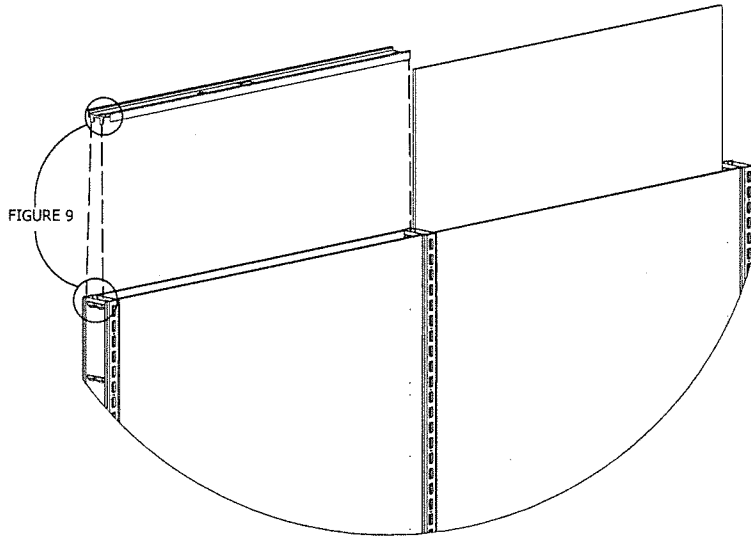


FIGURE 8

9. Install TOP RAILS, making sure that the tabs on the rails fully engage into the lances on the UPRITES.

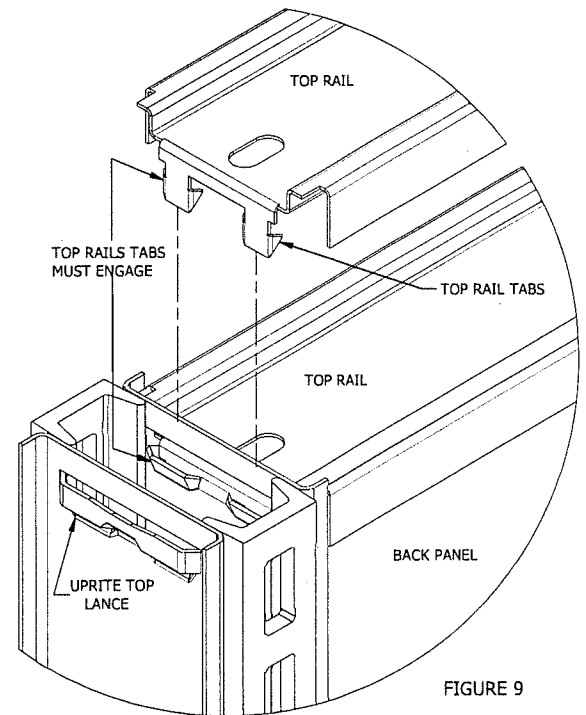


FIGURE 9

LOZIER

©2015 LOZIER CORPORATION

6336 PERSHING DRIVE
OMAHA, NEBRASKA 68110
(800) 228-9882

85062 REV B
LZPCOA-667
PAGE 15 OF 20

INSTALLATION INSTRUCTIONS

GONDOLA BASIC Q-SYSTEM

10. Secure all BUMPER KICKPLATES to all BASE BRACKETS throughout entire length of the gondola. #10 Tek screws must be screwed through the holes in the BUMPER KICKPLATE for proper retention.

NOTE: Do not run screw in vertical slot where the KICKPLATE locks into the BASE ARM.

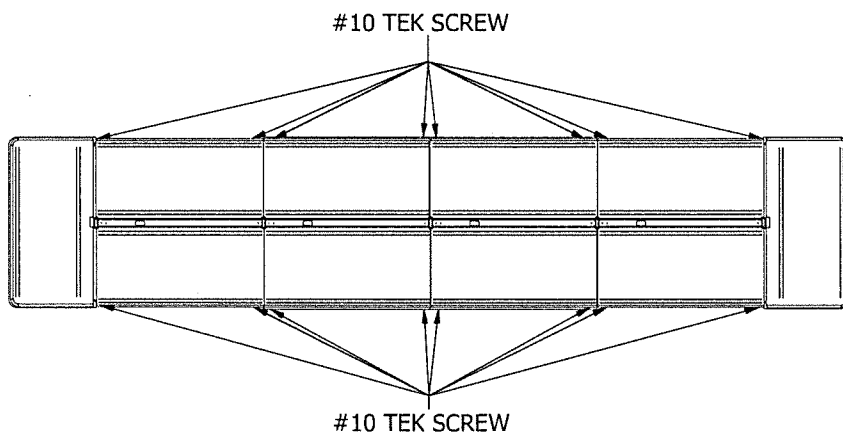
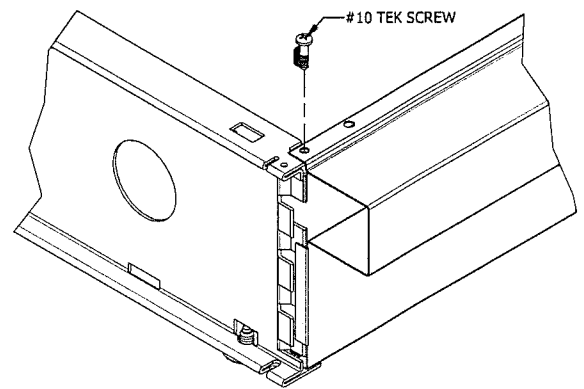


FIGURE 10



INSTALLATION INSTRUCTIONS

GONDOLA BASIC Q-SYSTEM

11. Install BASE DECKS by inserting rear tab into slot in UPRITE. Lower BASE DECK onto BASE BRACKET, making sure that the projection near front of the BASE DECK enters the slot on the top of the BASE BRACKET.

Note: Make sure gondola is straight before installing Decks as the rear tab of the deck could become bent. If rear tab becomes bent, and will not engage uprite, straighten tab with pliers.

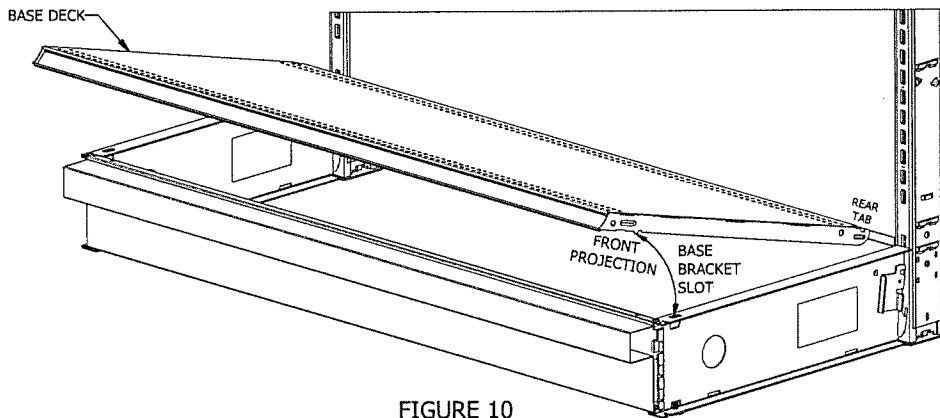


FIGURE 10

INSTALLATION INSTRUCTIONS

GONDOLA BASIC Q-SYSTEM

12a. TWO PIECE CONTOURED END BASE:

Position CONTOURED END BASE in alignment with gondola. Base must fit in front of base brackets. Align notch at rear of Contoured Top with upright and lower the top onto the base. Tabs at rear edge of the top must enter rectangular slots in base brackets. Tabs under front of contoured top will drop into slots in the base.

- Make sure that top captures all pvc bumper on base

PRE-ASSEMBLED CONTOURED END BASE:

Position CONTOURED END BASE in alignment with Gondola. Lift back edge of END BASE over BASE BRACKETS and lower the BASE. Tabs at rear edge of the top must enter rectangular slots in the base brackets.

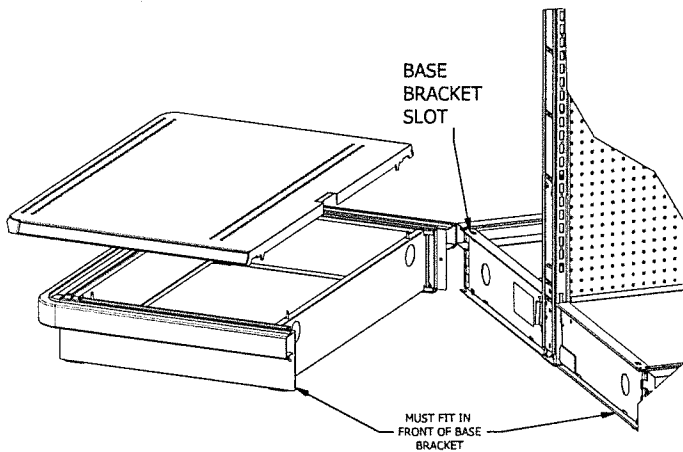


FIGURE 12a

12b. Install BASE END TRIM by inserting the angled

projection at the rear of the BASE END TRIM into the UPRITE slot that is at the top of the BASE BRACKET. The vertical flange on the front of the BASE END TRIM must engage the tabs on the front of the BASE BRACKET. The bottom flange of the TRIM must go under the bottom of the BASE BRACKET. The top flange should rest on the base bracket, and the rectangular hole should align with the slot in the base bracket.

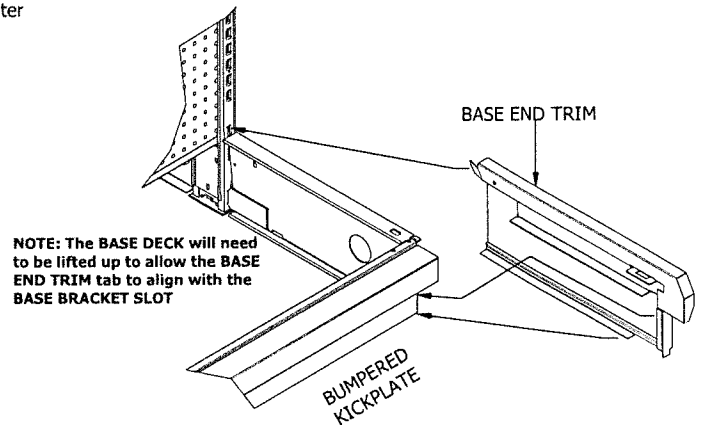
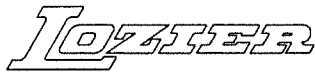


FIGURE 12b

12c. Install UPRITE END TRIM by aligning the top of the TRIM with the top of the UPRITE side rail while pressing the TRIM over the side rail. Continue pressing trim toward the floor.



6336 PERSHING DRIVE
OMAHA, NEBRASKA 68110
(800) 228-9882

85062 REV B
LZPCOA-667
PAGE 18 OF 20

INSTALLATION INSTRUCTIONS

GONDOLA BASIC Q-SYSTEM

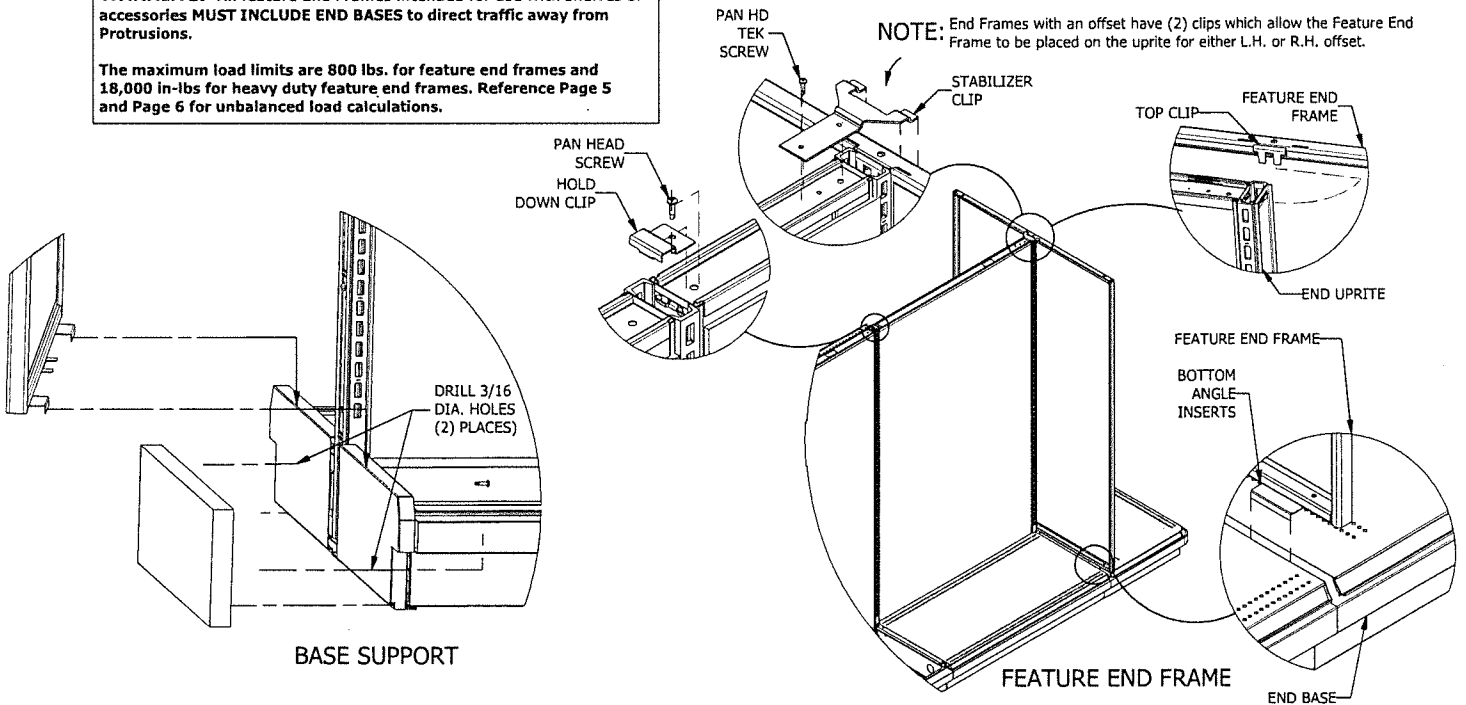
- 12d. Install the FEATURE END FRAME. If the FRAME is not being used with an END BASE, install the FEATURE END FRAME BASE SUPPORT. Drill 3/16" dia. holes through BASE BRACKET and BASE END TRIM and install SCREW through into BASE SUPPORT. Do not fully tighten until the FEATURE END FRAME bottom angle has been inserted, as shown in next step.

WARNING! All feature End Frames intended for use with shelves or accessories **MUST INCLUDE END BASES** to direct traffic away from Protrusions.

The maximum load limits are 800 lbs. for feature end frames and 18,000 in-lbs for heavy duty feature end frames. Reference Page 5 and Page 6 for unbalanced load calculations.

1. Insert Feature End Frame Top Clip into the lance of the uprite while inserting the FEATURE END FRAME bottom angles into the Base Deck - End Deck joint as shown.
2. Install STABILIZER CLIP into top slots of FEATURE END FRAME and rotate down top rail. Secure with self-drilling screw into top rail.
3. On Opposite side of top rail, install HOLD DOWN CLIP over edge of uprite and on top rail. Secure with self-drilling screw into top rail.

NOTE: End Frames with an offset have (2) clips which allow the Feature End Frame to be placed on the uprite for either L.H. or R.H. offset.



LOZIER

©2015 LOZIER CORPORATION

6336 PERSHING DRIVE
OMAHA, NEBRASKA 68110
(800) 228-9882

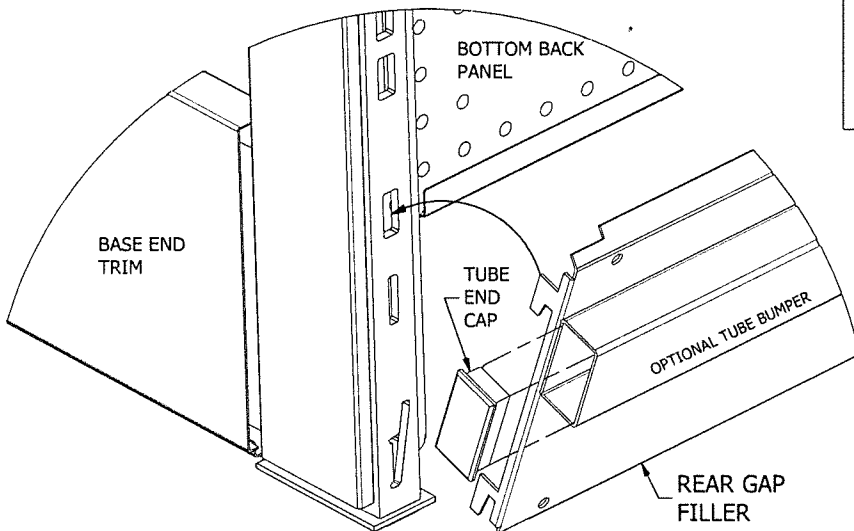
85062 REV B
LZPCOA-667
PAGE 19 OF 20

INSTALLATION INSTRUCTIONS

GONDOLA BASIC Q-SYSTEM

13. If REAR GAP FILLER are to be used on the back of free standing half-gondola, install them now by hooking in UPRITE slots as shown. REAR GAP FILLERS are available with an optional tube bumper. If so equipped, one TUBE CAP will be supplied with each assembly. Install one cap into the tube at each end of gondola.

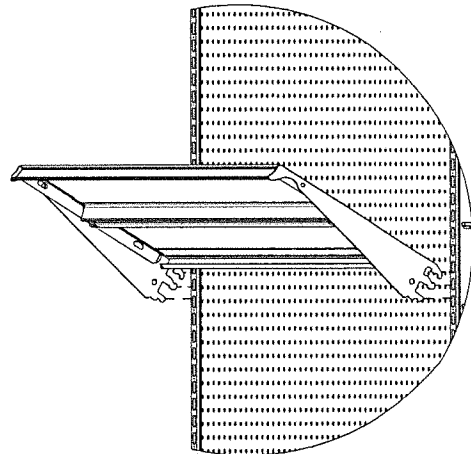
Warning: Free Standing Half Gondola need to be anchored to the floor to prevent over turning backwards.



14. Install SHELVES. Lift and position SHELVES by gripping the front edge of a SHELF with one hand and supporting the SHELF in a level position from underneath with palm of the other hand. Guide the shelf bracket into the desired UPRITE slots until it can drop down into the installed position. Specified SHELF positions can be achieved by a combination of lifting and rotation.

WARNING! The left and right sides of a shelf must be at the same position in the left and right uprights relative to the floor. Be sure that the shelf brackets have engaged the upright by pushing down on the shelf before loading. Do not exceed maximum load capacities (Reference Page 4).

WARNING! Do not exceed 18,000 inch-pounds unbalanced load on each upright. See Reference Page 5 for sample calculation and additional cautions.



Lozier

©2015 LOZIER CORPORATION

6336 PERSHING DRIVE
OMAHA, NEBRASKA 68110
(800) 228-9882

85062 REV B
LZPCOA-667
PAGE 20 OF 20